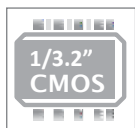


PERFORMANCE LITE IP CAMERAS 2MP IP IR EYEBALL CAMERA

HIE2PI-L

Honeywell's new Performance Lite IP camera series is aimed to provide high quality surveillance as an affordable offering for the small and medium businesses including small retail shops, gyms, schools, residential homes, etc. The new series includes 2MP IR cameras, in eyeball configuration with fixed lens options and plastic body to cater to all kinds of customer applications. The cameras come with IR LEDs to provide effective and efficient surveillance even during the night. The cameras are IP67 rated that makes them resilient for outdoor applications as well.



Sensor



Min.
Illumination



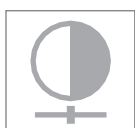
DWDR



Motion
Detection



Day & Night



AWB



POE



Water-proof

KEY FEATURES

- 2MP, Resolution: 1920 X 1080, H.265 codec compression
- Up to 20 m IR distance
- 3 Region of Interest, ROI coding
- 3D DNR, Digital WDR, HLC, BLC, defog
- ICR auto switch, True Day / Night (TDN)
- 1 Channel built in mic
- IP 67 certified
- Supports dual streams
- Support mobile surveillance by smart phones with iOS and Android OS access through Honeywell NVR.

Honeywell

PERFORMANCE LITE IP CAMERAS 2MP IP IR EYEBALL CAMERA

SPECIFICATIONS

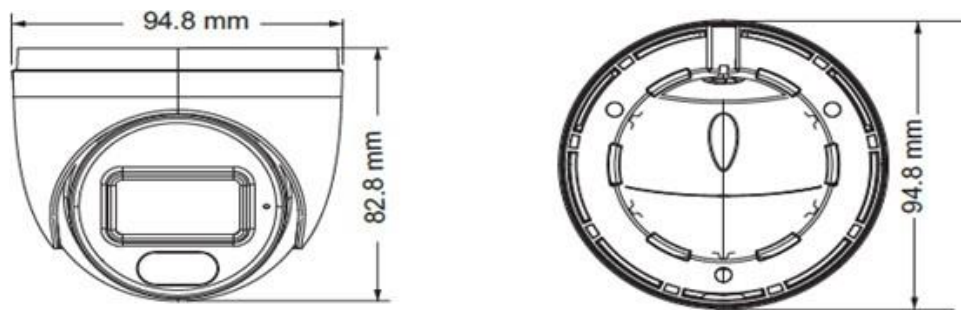
CAMERA		HIE2PI-L
Image Sensor	1 / 3.2"CMOS	
Number of Pixels (H x V)	1920 x 1080	
Electronic Shutter	1/25s ~ 1/ 100000s	
Iris	Fixed Iris	
Min Illumination	0.012lux @F1.2, AGC ON; 0 lux with IR 0.046 lux @ F2.0, AGC ON; 0 lux with IR	
Lens	3.6 mm @F2.0, (fixed lens), Horizontal Field of View: 75.8°	
Day & Night	TDN	
Wide Dynamic Range	Digital WDR	
Angle Adjustment	Pan: 0°~360°; Tilt:0°~75°; Rotation: 0°~360°	
IMAGE		
Video Compression	H.265 / H.264 / MJPEG	
Resolution	1080P (1920 × 1080), 720P (1280 × 720), D1, 480 × 240, CIF	
Number of Streams	2 (Main Stream, Sub Stream)	
Frame Rate	Main Stream: 60Hz:1080P/720P(1~30fps);50Hz: 1080P/720P(1~25fps) Sub Stream:60Hz: D1/CIF/480×240(1~30fps); 50Hz: D1/CIF/480×240 (1~25fps)	
Bit Rate	64 Kbps ~ 6 Mbps	
Encode Mode	VBR / CBR	
Image Settings	ROI, Saturation, Brightness, Chroma, Contrast, Wide Dynamic, Sharpen, NR,etc. adjustable through client software or web browser	
ROI	3, Each ROI to be configured separately	
INTERFACES		
Network	RJ45	
FUNCTIONS		
Remote Monitoring	Web browsing, CMS remote control	
Online Connection	Support simultaneous monitoring for up to 3 users; Support multi-stream real time transmission	
Network Protocol	UDP, DHCP, NTP, RTSP, DDNS, SMTP, 802.1x, UPnP, HTTP, HTTPS, QoS, IPv4, IPv6	
Interface Protocol	ONVIF	
Motion Alarm	Supported	
IR Distance	10 ~ 20m	
IP Rating	IP67	

PERFORMANCE LITE IP CAMERAS 2MP IP IR EYEBALL CAMERA

OTHERS	
Power Supply	DC 12V / PoE
Power Consumption	<5 W
IR Consumption ON	1 W
Operating Temperature	-20 deg C to 55 deg C, Humidity: 95% (non-condensing)
Dimensions (mm)	94.8 × 82.8
Weight	Approx. 0.287KG
Installation	Ceiling mounting (Wall mounting available with the junction box and bracket)
Certifications	BIS, CE, FCC

DIMENSIONS

HIE2PI - L



ORDERING INFORMATION

ORDER CODES	DESCRIPTION
HIE2PI - L	1/3.2" CMOS Sensor, 2 MP Fixed lens, TDN, DWDR, 3.6 mm, 12 VDC / PoE

For more information.

PT Deltasindo Raya Sejahtera

Tel (021) 2922 6688
 Fax (021) 2922 6699
honeywell@deltasindo.com
www.deltasindo.com

Honeywell