

# ULTRAKEY LITE®

Video Matrix keyboard with LCD screen

Honeywell's UltraKey Lite® keyboard is an industry-leading design for reliable, user-friendly control of video management systems. It works on both the MAXPRO® VMS and Pro-Watch® VMS to provide a uniform user interface regardless of system controller.



The UltraKey Lite incorporates a touch wheel for rapid camera selections and digital or networked video recorder control, and a touch ring with four keys for various functions. Dedicated DVR/NVR buttons are programmable for device control. Laser cut keys with blue backlight provide a fade-free, familiar QWERTY keyboard feel and the rubber wrist pad is user replaceable.

Multiple control interfaces include TCP/IP, RS232, RS422 and RS485 through convenient RJ45 connector. A breakout box is available to convert to screw terminal or DB9 for RS232, and a USB port is also available for future connection options. The DC power supply connector uses a unique twist-lock mechanism to prevent accidental unplugging. Power over Ethernet (PoE) option is also available. The UltraKey Lite has its own web browser for simple configuration and firmware upgrades.

The UltraKey Lite has a two-line LCD that offers system feedback and simple keyboard configuration, and a 3-axis variable speed joystick with twist zoom controls variable speed PTZ mechanisms. The addition of focus controls on the left and right of the joystick allows either left or right-handed persons to use the controller effortlessly. In VideoBloX mode, 20 function keys are available for sequence triggering or groups and scenes. In addition, the Mon A, Mon B, Tour and MUX keys trigger specific sequences in the VideoBloX CPU.

In MAXPRO-Net mode, standard keys such as PTZ call, alternate camera selection, sequence selection, tours, mux selection and NVR control functions are present. Through MAXPRO-Net Setmax, each key can be intercepted and the desired function programmed using macros.

## MARKET OPPORTUNITIES

For both MAXPRO-Net and VideoBloX CPU matrix options, the UltraKey Lite provides a real-time intuitive method of control for small to large matrix opportunities. The UltraKey Lite is a mid-tier keyboard option for MAXPRO-Net systems with added advantages of TCP/IP connectivity and the option to use RS422 for remote applications. This eliminates the need for external RS422 adapters, especially when used in conjunction with the MegaPIT™.

The UltraKey Lite is a direct replacement to the HEGS5BLX or PCK variants for the VideoBloX and VideoBloX Lite CPUs. With the VideoBloX NetCPU, the TCP/IP option offers connectivity over a LAN.

## FEATURES AND BENEFITS



Keys are backlit with pleasant adjustable blue LED

Mon A, Mon B keys for quick monitor selection



MAXPRO VMS and Pro-Watch VMS compatible

Touch wheel for DVR/NVR control



Multiple connectivity options (RS232/422/485 and TCP/IP)

Power over Ethernet



Web browser for easy upgrading and configuring

Keys are laser cut and fade-free

# ULTRAKEY LITE

## TECHNICAL SPECIFICATIONS

### OPERATIONAL

Compatibility	MAXPRO-Net, Pro-Watch and MAXPRO VMS, VideoBloX
Communication Speeds	1200, 4800, 9600, 19200, 57600 baud
Operating Distances	RS422: 4000' (1219m), RS232: 50' (15.2m), Ethernet 330' (100m)
LCD Screen	STN, Positive image, 122 x 32 Dots, Blue White backlight
Joystick	3-D axis proportional control
Standard Keys	0-9, Clr, Ent, Cam, Mon, Mux, Device, Alarm, Seq, Login
Touch Wheel	Both Modes: DVR/NVR control VideoBloX: Camera selection
Camera Function Keys	View, Tour, PTZ Call, Alt, Undo, Set, Iris, (2) Focus, MonA, MonB
DVR/NVR Keys	Rec/Stop, Play Fwd, Play Rev, Review, Search, Touch Pad and Ring for FF, REW, Step FWD, REV

### ELECTRICAL

Input Voltage	100 - 240 VAC (50 or 60 Hz)
Operating Voltage	12 VDC or POE (48 VDC, Class 3)
Power Consumption	1 A @ 12 VDC (12 W)

### MECHANICAL

Dimensions (W x H x D)	16.06" x 4.13" x 8.46" (408 mm x 105 mm x 215 mm)
Shipping Weight	7 lbs (3.2 kg)
Construction Housing	ABS+PC (cool grey)

### CONNECTIONS

- 1×Ethernet (10Base-T, 100Base-TX) RJ45 with PoE
- 1×RS232/422
- 1× Locking 12 VDC power connector
- 1×USB Type A, version 1

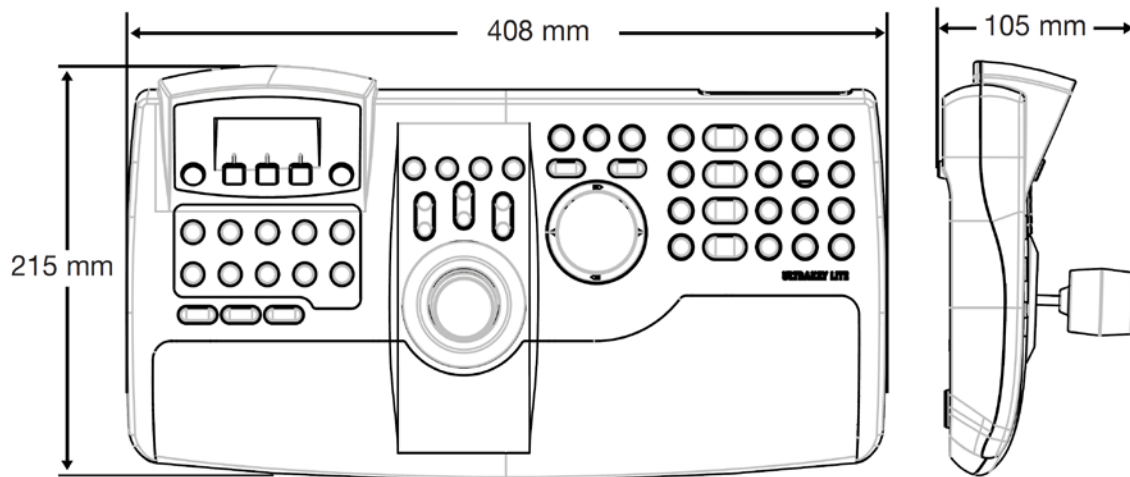
### ENVIRONMENTAL

Temperature	Operating: 14 to 131° F (-10 to +55° C) Storage: -40 to 167° F (-40 to +75° C)
Relative Humidity	20%-80% (non-condensing)

### REGULATORY

Emissions	FCC: CFR 47 Part 15 Class B CE: Class B (EN 61000-6-3:2001 2004/108/EC) ICES-003 CISPR 22:2005 (AS/NZS 4417.1:1996)
Immunity	EN50130-4/A2:2003
Safety	UL 60950-1 EN 60065:2006 (2006/95/EC)

## HJC5000



### ORDERING INFORMATION

HJC5000	Keyboard controller for VideoBloX, MAXPRO-Net, MAXPRO VMS and Pro-Watch VMS.
---------	--

**Honeywell Commercial Security**  
715 Peachtree Street NE  
Atlanta, GA 30308  
1.800.323.4576  
www.honeywell.com

*Honeywell reserves the right,  
without notification, to make  
changes in product design or  
specifications.*

HSV-HJC5000-01-US(0520)DS-Z  
© 2020 Honeywell International Inc.

**Honeywell**